

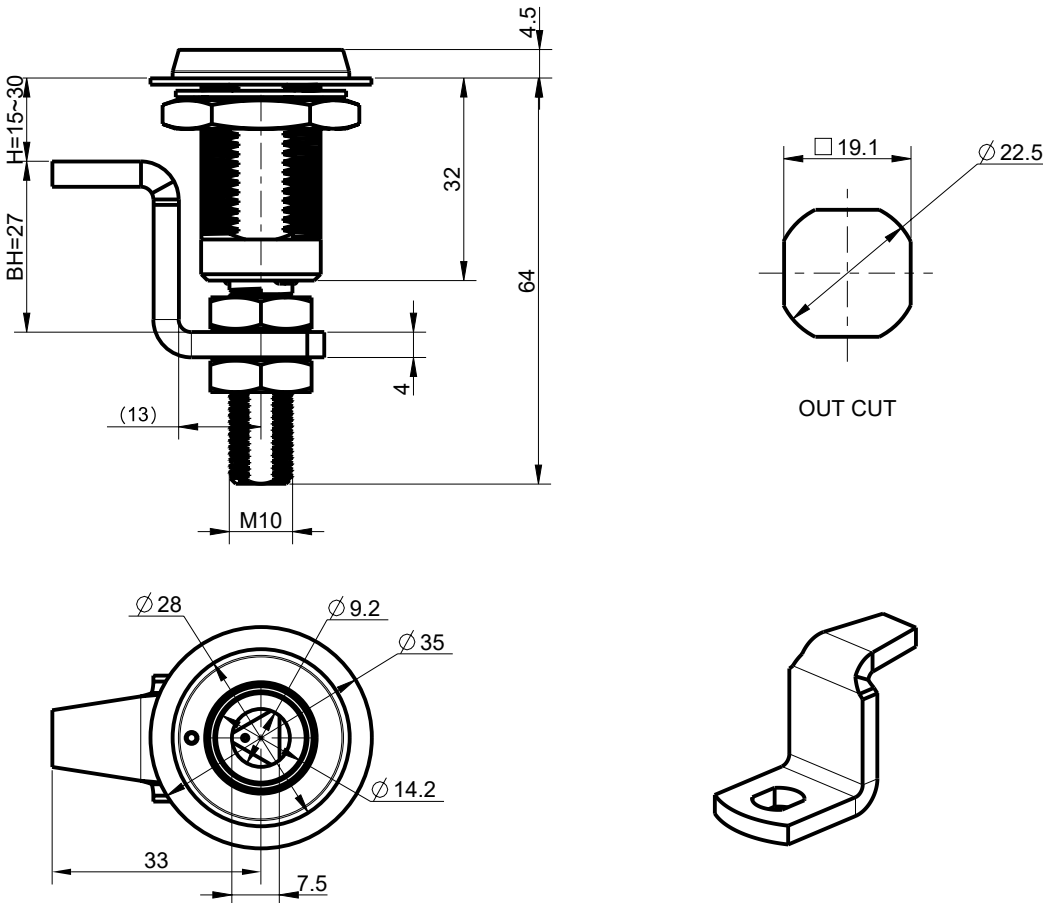
Compression Latch UM2122-1 7mm Triangular

Compression Latch

- Material: Stainless Steel
- Environmental Protection: IP65 rating



Supply features



Part Number	Description
UM2122-1 7mm Triangular	Compression latch with 7mm Triangular key style and insert
UM2122 Cam	Compression latch cam