



GB3585(A) ACCESSORIES

Approved for use on Gage Bilt CE installation tools and/or other manufacturer's CE approved tools of similar design.
(Sold Separately)



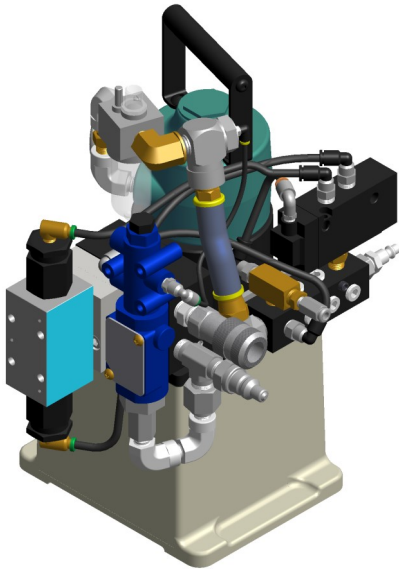
ACCESSORIES

(Sold Separately)

GB947 POWERUNIT



GB912 POWERUNIT

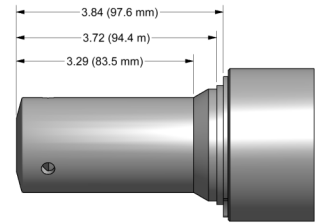


GB910 POWERUNIT



NOSE ASSEMBLY CHART

(Sold Separately)



FASTENER	DIA.	NOSE ASSEMBLY
LOCKBOLT HIGH TENSILE PULL TYPE C50L® LD AVDELOK®	1/2" 5/8" 3/4"	16-7624-40 20-585-41 24-585-46
BOM® AVBOLT®	1/2" 5/8" 3/4"	BOM16-7624A-40 BOM20-585-41 BOM24-585-46
HP8	5/8" 3/4"	CONTACT GAGE BILT FOR YOUR REQUIREMENTS
HP10.9	16mm 20mm	CONTACT GAGE BILT FOR YOUR REQUIREMENTS

C50L® AND BOM® ARE REGISTERED TRADEMARKS OF HOWMET AEROSPACE AVDELOK® AND AVBOLT® ARE REGISTERED TRADEMARKS OF AVDEL UK LIMITED

GAGE BILT CERTIFIES THE GB3585 WILL INSTALL THE ABOVE FASTENERS

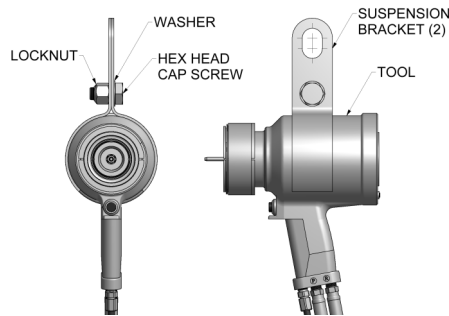
See gagebilt.com/nose_assemblies.php for nose assembly information (data sheets)

NOTE: THE LAST 2 DIGITS OF THE NOSE ASSEMBLY REPRESENTS THE LENGTH THE NOSE ASSEMBLY EXTENDS FROM THE TOOL. (I.e. -40 = 4.0 inches)

10/22

SUSPENSION BRACKET

(Sold Separately)



The use of suspension bracket assy (A-1594) is strongly recommended as it increases ergonomic flexibility and reduces fatigue for users while installing fasteners.

Suspension bracket assy (A-1594) contains the bracket and hardware as shown in the figure.

RIVETER KITS

(Sold Separately)

Gage Bilt offers a wide selection of standard and custom kits tailored to your needs. Contact us for more information.



CE Approved

12, 26, 38 & 52 FT HOSE LENGTHS AVAILABLE FOR ALL 3 POWERUNITS.
CUSTOM HOSE LENGTHS ALSO AVAILABLE.
CONTACT GAGE BILT FOR MORE INFORMATION.