

Flanged Collars, ERSCF XG, ERSSCF X

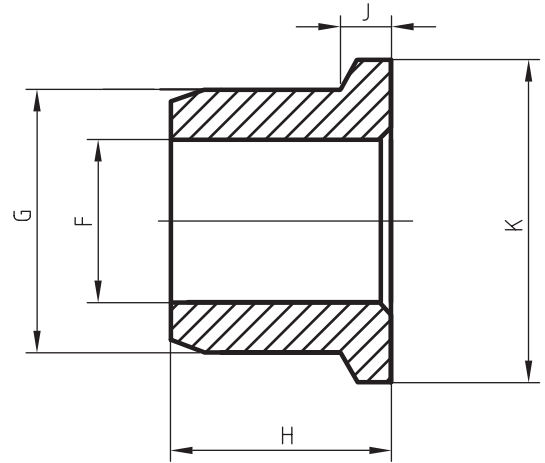
Technical requirements

Steel

Material: Low Carbon Steel
Smooth Surface: Without Burr
Heat Treatment: Annealing
Surface Treatment: Minimum 5µm Zinc Clear and Waxed

Stainless steel

Material: Stainless steel
Finish: Natural



Series	06	08	10	12	16	20	24	28	32	36
Pin Dia	4.8 mm	6.4 mm	8 mm	9.6 mm	12.7 mm	15.9 mm	19.1 mm	22.2 mm	25.4 mm	28.5 mm
Pin Dia	3/16 "	1/4 "	5/16 "	3/8 "	1/2 "	5/8 "	3/4 "	7/8 "	1 "	1 1/8 "
Part no. Steel	ERSCF 06G	ERSCF 08G	ERSCF 10G	ERSCF 12G	ERSCF 16G	ERSCF 20G	ERSCF 24G	ERSCF 28G	ERSCF 32G	ERSCF 36G
Part no. St steel	ERSSCF 06	ERSSCF 08	ERSSCF 10	ERSSCF 12	ERSSCF 16	ERSSCF 20	ERSSCF 24	ERSSCF 28	ERSSCF 32	
F (mm) Min - Max	4.75 - 4.98	6.50 - 6.78	7.72 - 7.92	9.60 - 9.91	13.10 - 13.55	16.55 - 16.85	19.70 - 20.05	23.15 - 23.60	26.20 - 26.65	29.25 - 29.95
F (inch) Min - Max	0.187 - 0.196	0.256 - 0.267	0.304 - 0.312	0.378 - 0.390	0.515 - 0.533	0.651 - 0.663	0.775 - 0.789	0.911 - 0.929	1.031 - 1.049	1.151 - 1.179
G (mm) Min - Max	7.72 - 7.90	10.21 - 10.39	12.65 - 12.88	15.21 - 15.49	20.15 - 20.50	24.70 - 25.60	29.75 - 30.45	34.55 - 34.90	39.40 - 40.00	44.25 - 44.95
G (inch) Min - Max	0.304 - 0.311	0.402 - 0.409	0.498 - 0.507	0.599 - 0.610	0.793 - 0.807	0.972 - 1.007	1.171 - 1.198	1.360 - 1.374	1.551 - 1.574	1.742 - 1.769
H (mm) Min - Max	6.35 - 7.11	8.86 - 9.63	10.01 - 10.82	12.75 - 13.51	18.20 - 18.95	23.60 - 24.35	28.40 - 29.10	33.05 - 33.75	37.75 - 38.45	42.45 - 43.15
H (inch) Min - Max	0.250 - 0.280	0.349 - 0.379	0.394 - 0.426	0.502 - 0.532	0.716 - 0.746	0.929 - 0.958	1.118 - 1.145	1.301 - 1.328	1.486 - 1.513	1.671 - 1.698
J (mm) Min - Max	0.79 - 1.57	1.19 - 1.98	1.57 - 2.39	1.57 - 3.18	2.40 - 3.95	3.20 - 4.75	4.00 - 5.50	4.75 - 6.35	5.55 - 7.10	6.35 - 7.90
J (inch) Min - Max	0.031 - 0.062	0.047 - 0.078	0.062 - 0.094	0.062 - 0.125	0.094 - 0.155	0.125 - 0.187	0.157 - 0.216	0.187 - 0.250	0.218 - 0.279	0.250 - 0.311
K (mm) Min - Max	9.12 - 9.93	12.29 - 13.11	15.47 - 16.28	18.26 - 19.84	24.65 - 26.15	30.95 - 32.50	37.30 - 38.85	39.70 - 41.25	46.85 - 48.40	53.20 - 54.75
K (inch) Min - Max	0.359 - 0.391	0.484 - 0.516	0.609 - 0.641	0.719 - 0.781	0.970 - 1.029	1.218 - 1.279	1.468 - 1.529	1.562 - 1.624	1.844 - 1.905	2.094 - 2.155