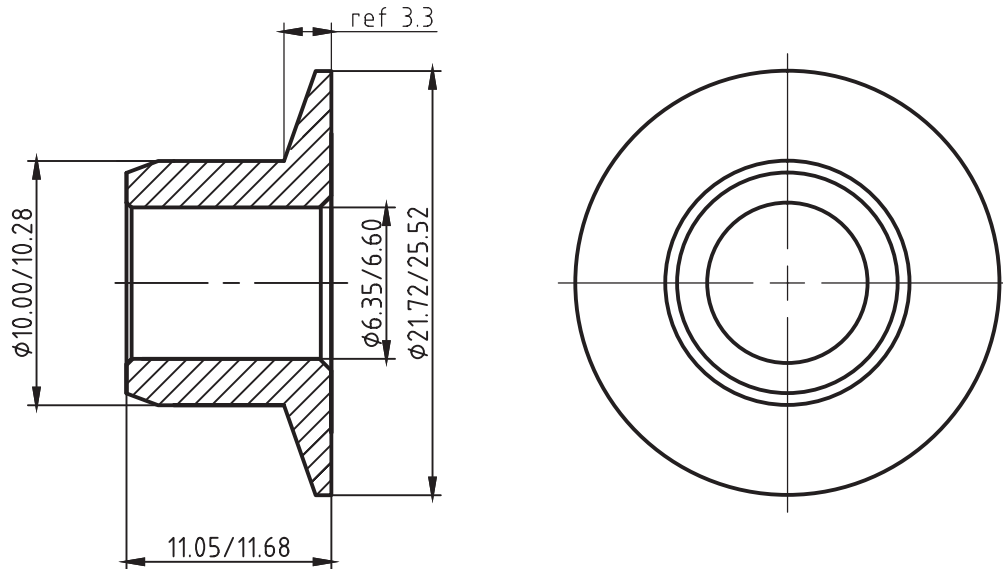


# ERSCWMG0800U Collar, Wide Flange



## Technical Requirements

<b>Material:</b>	Low Carbon Steel	<b>Heat Treatment:</b>	Annealing
<b>Smooth Surface:</b>	Without Burr	<b>Surface Treatment:</b>	CR3+ zinc yellow