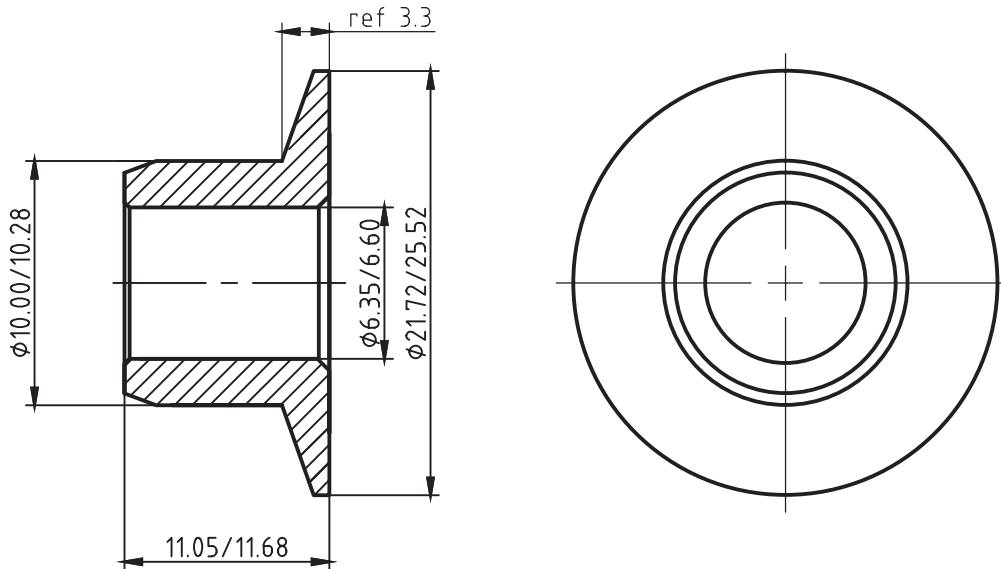


ERSCWMG0800G Collar, Wide Flange



Technical Requirements

Material: Low Carbon Steel

Heat Treatment: Annealing

Smooth Surface: Without Burr

Surface Treatment: CR3+ zinc clear and waxed