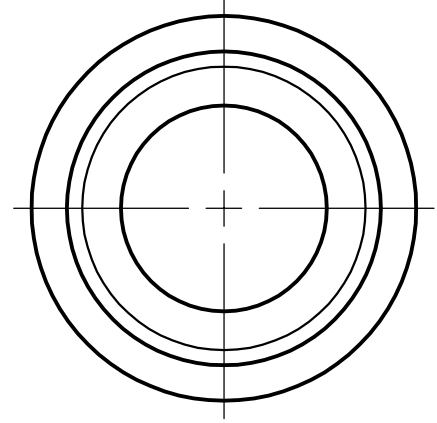
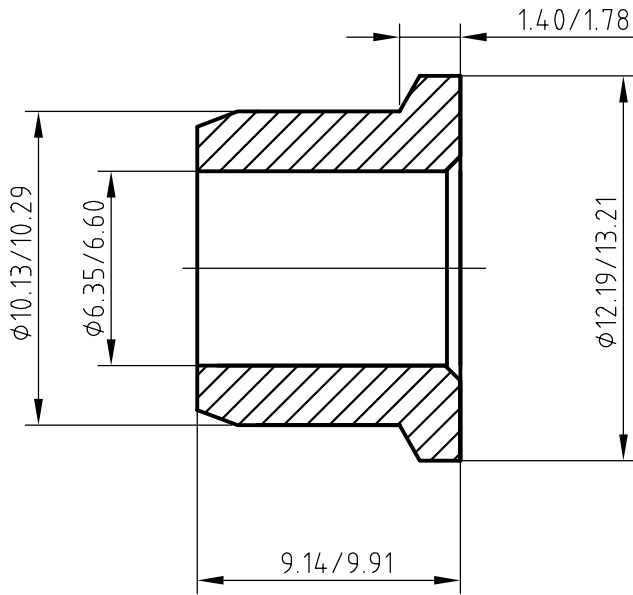


ERSCMG0800U Collar



Technical Requirements

Material:	Low Carbon Steel	Heat Treatment:	Annealing
Smooth Surface:	Without Burr	Surface Treatment:	Cr3 +zinc yellow