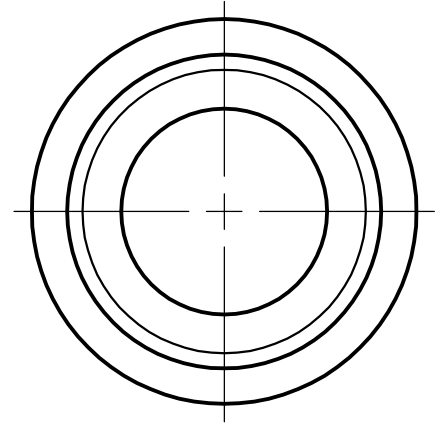
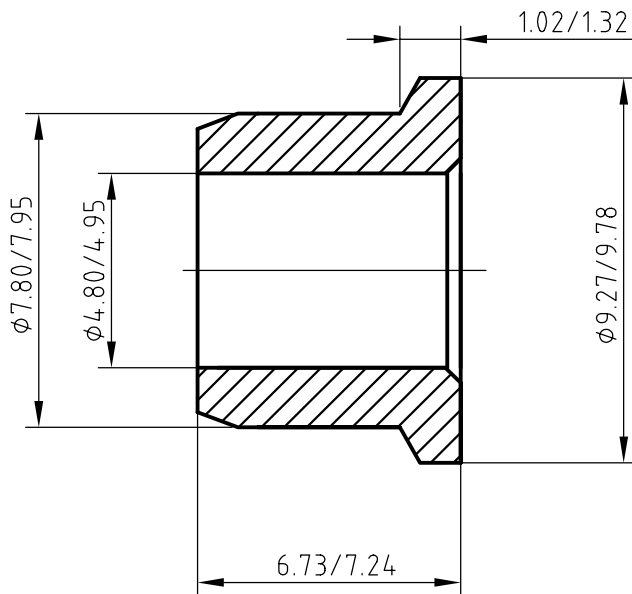


ERSCMG0600U Collar



Technical Requirements

Material: Low Carbon Steel

Smooth Surface: Without Burr

Heat Treatment: Annealing

Surface Treatment: Cr3 +zinc yellow