

SECURITY LATCH UM2060 SERIES

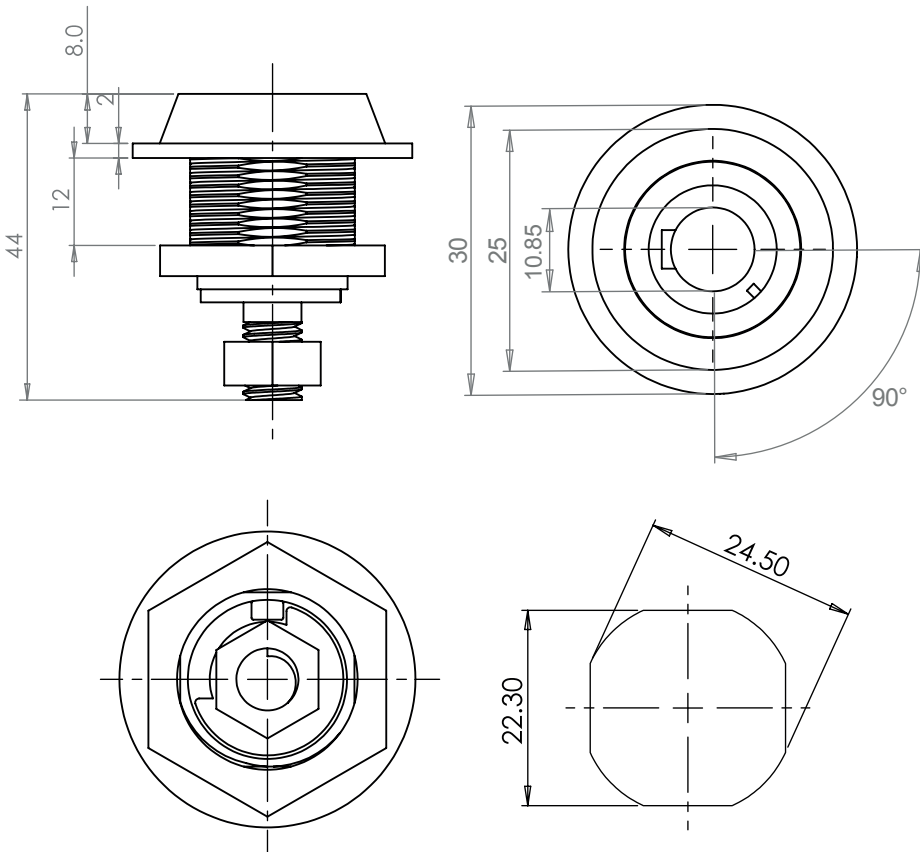
UM2060-22/24



Details

The UM2060 security latch offers a basic product platform that is found in common use in secure enclosures. Manufactured in stainless steel to provide a vandal resistant lock to IP65 level.

- Stainless Steel 304
- 14mm bayonet insert
- Chamfered face provides resistance to vandal attack
- Rated to IP65



Supply Features

Each security latch includes:

- 1 x hsg seal
- 1 x large washer
- 1 x hsg nuts
- 1 x hex lock nut

Ordering information:
Keys ordered seperatly

UM2060-KEY