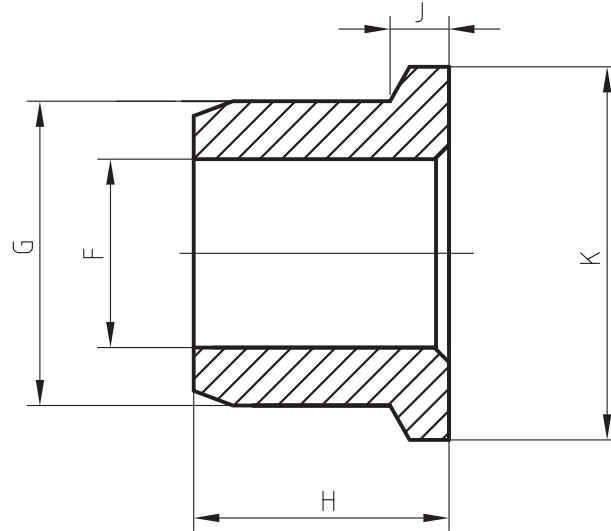


# ERSCF X-G - Flanged Collars 12.7mm - 28.6mm (1/2" - 1 1/8")



## Technical Requirements

**Material:** Low carbon steel      **Heat Treatment:** Annealing. Hardness: HRB50-75  
**Smooth Surface:** Without burr      **Surface Treatment:** 10 µm zinc clear and waxed

Size	F (mm)		F (inch)		G (mm)		G (inch)		H (mm)		H (inch)	
	Min	Max	Min	Max	Min	Max	Min	Max	Min	Max	Min	Max
ERSCF 16G	13.10	13.55	0.515	0.533	20.15	20.50	0.793	0.807	18.20	18.95	0.716	0.746
ERSCF 20G	16.55	16.85	0.651	0.663	24.70	25.60	0.972	1.007	23.60	24.35	0.929	0.958
ERSCF 24G	19.70	20.05	0.775	0.789	29.75	30.45	1.171	1.198	28.40	29.10	1.118	1.145
ERSCF 28G	23.15	23.60	0.911	0.929	34.55	34.90	1.360	1.374	33.05	33.75	1.301	1.328
ERSCF 32G	26.20	26.65	1.031	1.049	39.40	40.00	1.551	1.574	37.75	38.45	1.486	1.513

Size	J (mm)		J (inch)		K (mm)		K (inch)	
	Min	Max	Min	Max	Min	Max	Min	Max
ERSCF 16G	2.40	3.95	0.094	0.155	24.65	26.15	0.970	1.029
ERSCF 20G	3.20	4.75	0.125	0.187	30.95	32.50	1.218	1.279
ERSCF 24G	4.00	5.50	0.157	0.216	37.30	38.85	1.468	1.529
ERSCF 28G	4.75	6.35	0.187	0.250	39.70	41.25	1.562	1.624
ERSCF 32G	5.55	7.10	0.218	0.279	46.85	48.40	1.844	1.905