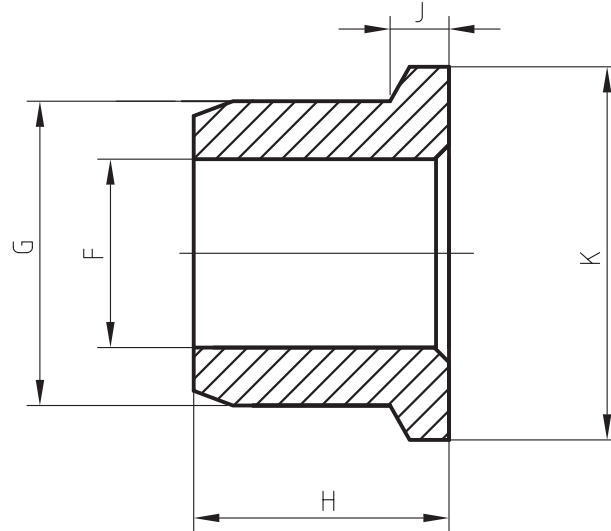


ERSCF X-G - Flanged Collars 4.8mm - 9.6mm (3/16" - 3/8")



Technical Requirements

Material: Low Carbon Steel
Smooth Surface: Without Burr

Heat Treatment: Annealing
Surface Treatment: Minimum 5µm Zinc Clear and Waxed

Size	F (mm)		F (inch)		G (mm)		G (inch)		H (mm)		H (inch)	
	Min	Max	Min	Max	Min	Max	Min	Max	Min	Max	Min	Max
ERSCF 06G	4.75	4.98	0.187	0.196	7.72	7.90	0.304	0.311	6.35	7.11	0.250	0.280
ERSCF 08G	6.50	6.78	0.256	0.267	10.21	10.39	0.402	0.409	8.86	9.63	0.349	0.379
ERSCF 10G	7.72	7.92	0.304	0.312	12.65	12.88	0.498	0.507	10.01	10.82	0.394	0.426
ERSCF 12G	9.60	9.91	0.378	0.390	15.21	15.49	0.599	0.610	12.75	13.51	0.502	0.532

Size	J (mm)		J (inch)		K (mm)		K (inch)	
	Min	Max	Min	Max	Min	Max	Min	Max
ERSCF 06G	0.79	1.57	0.031	0.062	9.12	9.93	0.359	0.391
ERSCF 08G	1.19	1.98	0.047	0.078	12.29	13.11	0.484	0.516
ERSCF 10G	1.57	2.39	0.062	0.094	15.47	16.28	0.609	0.641
ERSCF 12G	1.57	3.18	0.062	0.125	18.26	19.84	0.719	0.781