

Panel Tainer

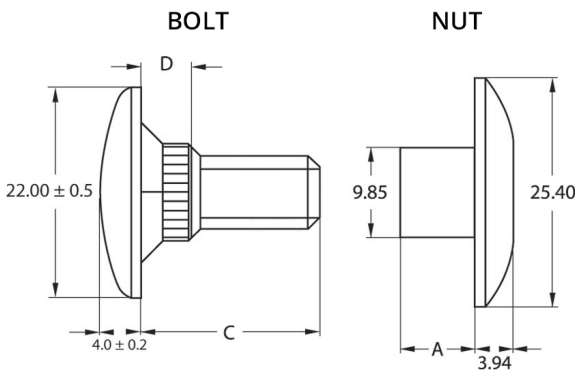


Details

The Panel Tainer is a high strength tamper proof nut and bolt.

- Fast and easy to install
- Designed for use on GRP panels
- Removable and reusable

Supply Features



BOLT DIMENSIONS			NUT DIMENSIONS		GRIP RANGE	
Part No	C	D	Part No	A	Min	Max
PT00B	14	5.5	PTN0	7	13	14.9
PT0B	16	5.5	PTN0	7	14.5	15.6
PT0B	16	5.5	PTN1	9.52	15.5	17.4
PT0B	16	5.5	PTN2	12.7	18.5	20.5
PT1B	19.05	6.6	PTN1	9.52	17.9	19.7
PT1B	19.05	6.6	PTN2	12.7	20	23.5
PT2B	22.2	6.6	PTN1	9.52	21.3	23.1
PT2B	22.2	6.6	PTN2	12.7	20.6	25.6
PT2B	22.2	6.6	PTN3	15.87	23.2	27.2
PT3B	25.4	9.5	PTN1	9.52	24.5	25.9
PT3B	25.4	9.5	PTN2	12.7	24.5	28.7
PT3B	25.4	9.5	PTN3	15.87	25.8	30.4
PT4B	31.75	9.5	PTN1	9.52	31.2	32.6
PT4B	31.75	9.5	PTN2	12.7	31.2	34.2
PT4B	31.75	9.5	PTN3	15.87	31.2	36.5
PT4B	31.75	9.5	PTN4	25.8	35.8	42.5
PT5B	38.5	12.3	PTN2	12.7	37.7	40.3
PT5B	38.5	12.3	PTN3	15.87	37.7	43.2
PT5B	38.5	12.3	PTN4	25.8	39.4	50.3

Technical Data

- Recommended hole size:** 10.3mm
- Thread:** 5/16 UNC
- Shear strength:** 14Kn
- Tensile strength:** 20Kn
- Recommended assembly torque:** 17-20Nm
- Drive bit:** T55