

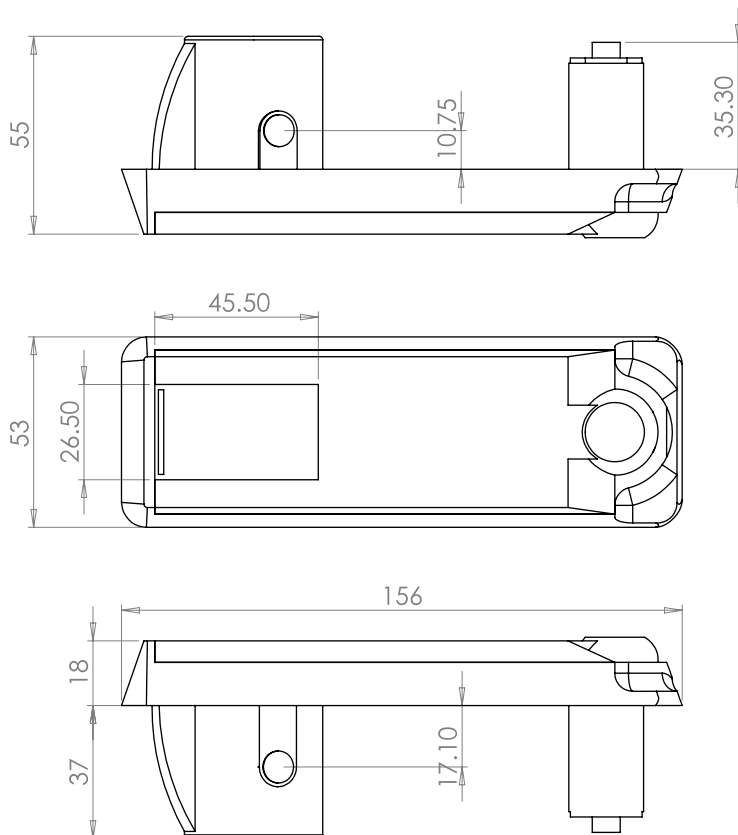
Locking swing handle, black – UM2145



Details

A high strength lockable stainless steel swing handle incorporating euro/round style and electronic locks. The adaptor system which includes the popular horse-shoe style enables an even greater choice of lock types. Once unlocked the cover plate acts as a high torque handle to release door locking cam and rod systems

- IP65 rated
- Locking handle
- Stainless steel
- Black powder coated



Supply Features

UM2145 includes:

1 x Locking swing handle

Locks, rods and cams supplied separately